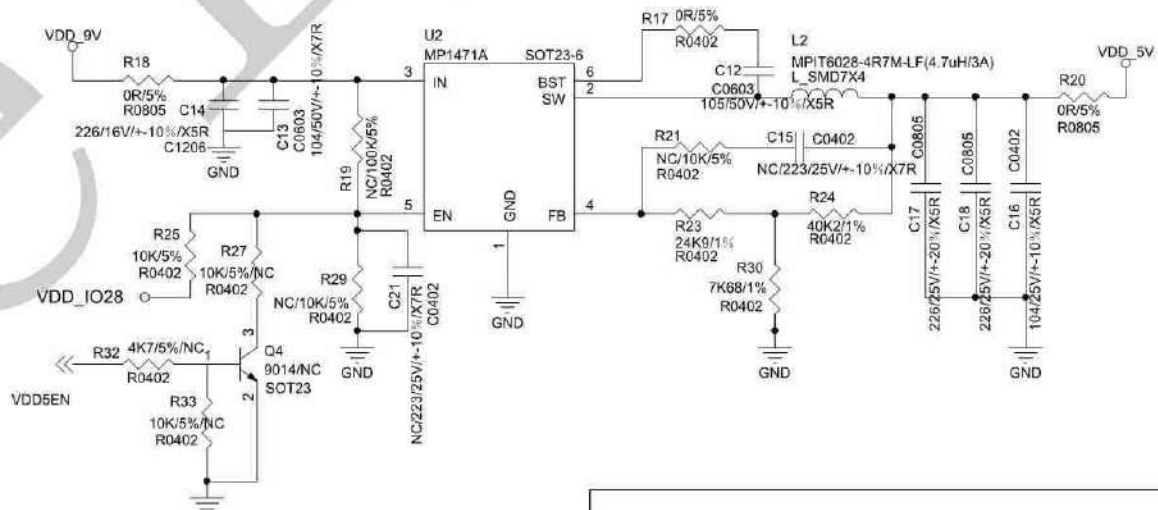
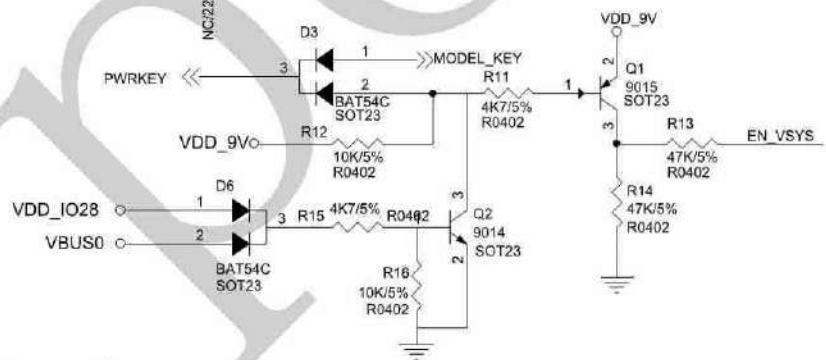
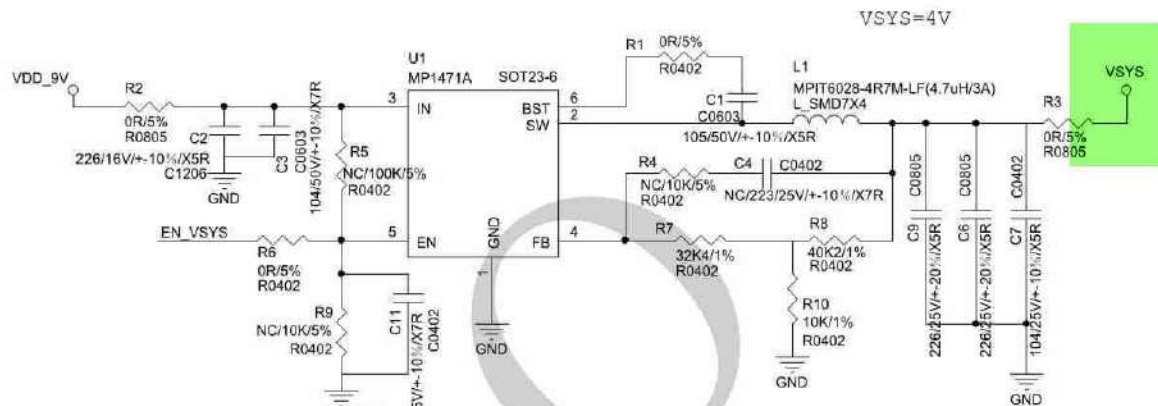
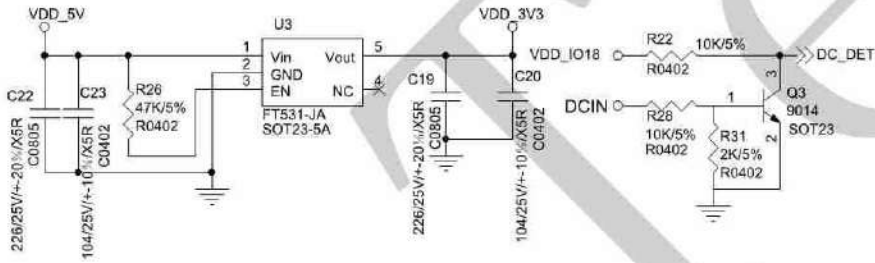
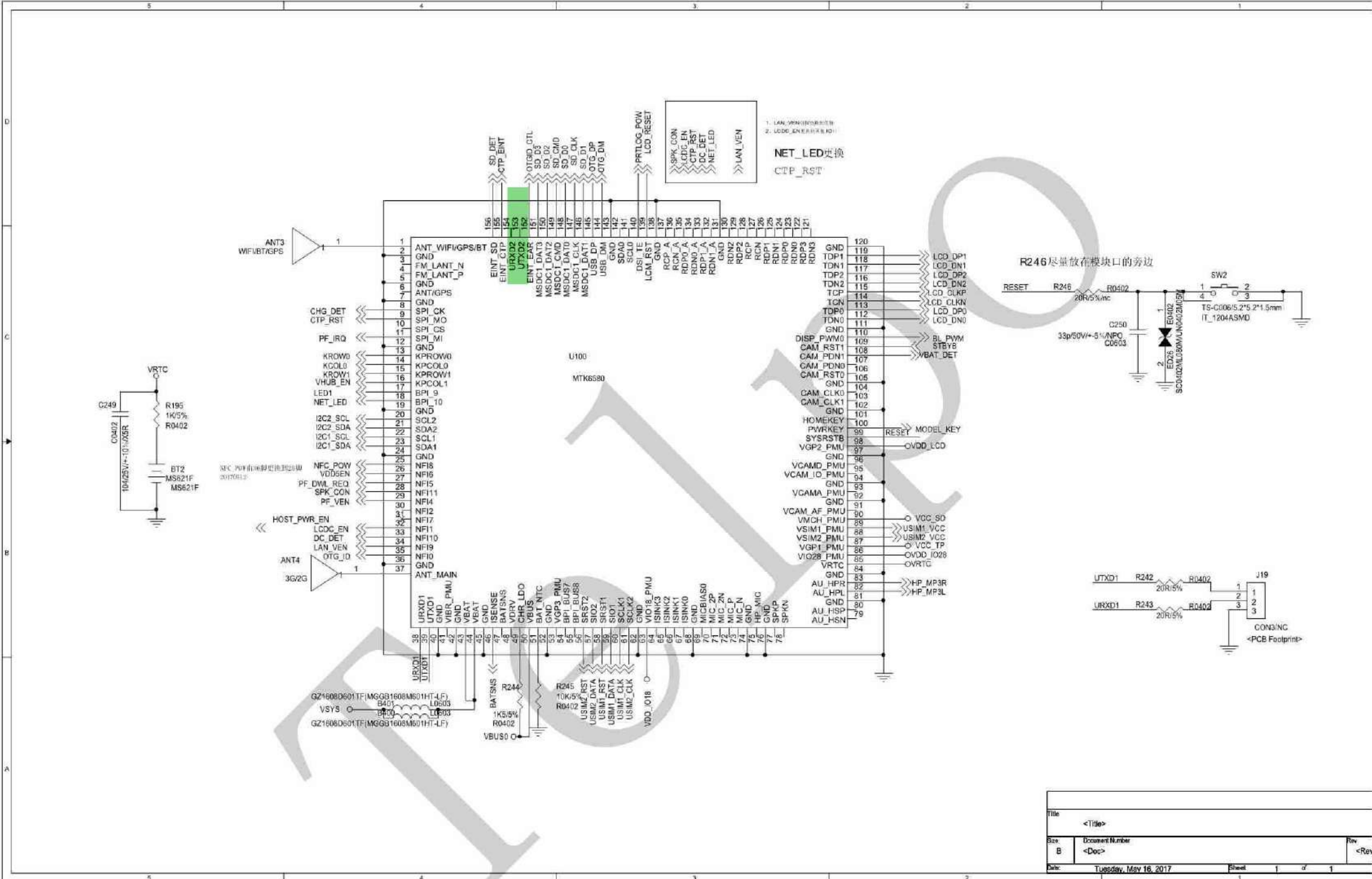


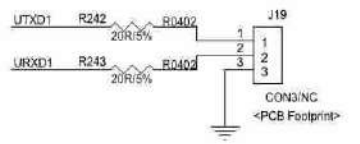
20160928: 增加VBUS0插入检测电路



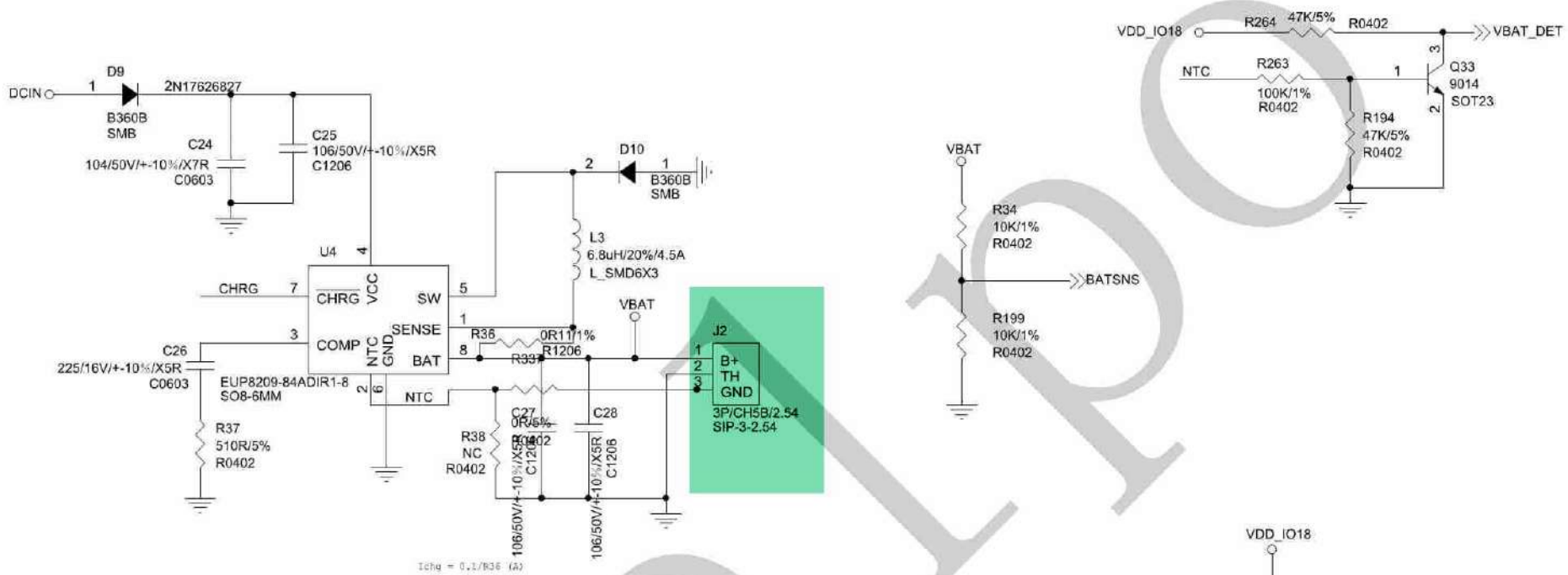


NET_LED 交换
CTP_RST

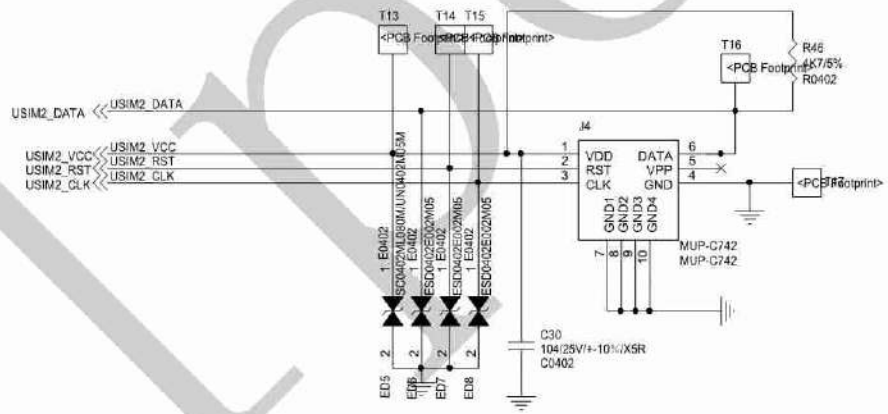
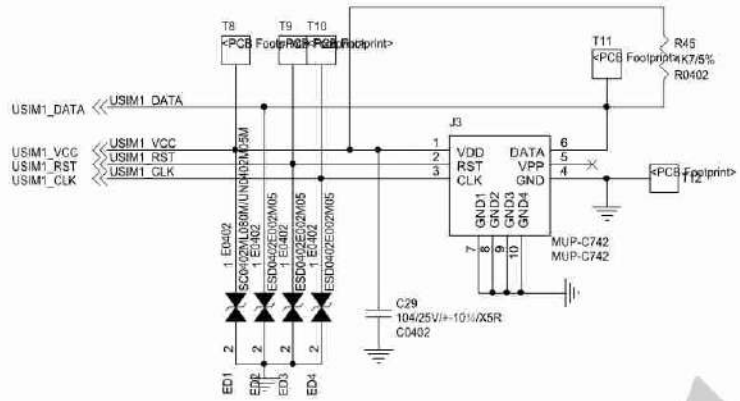
R246 尽量放在模块口的旁边



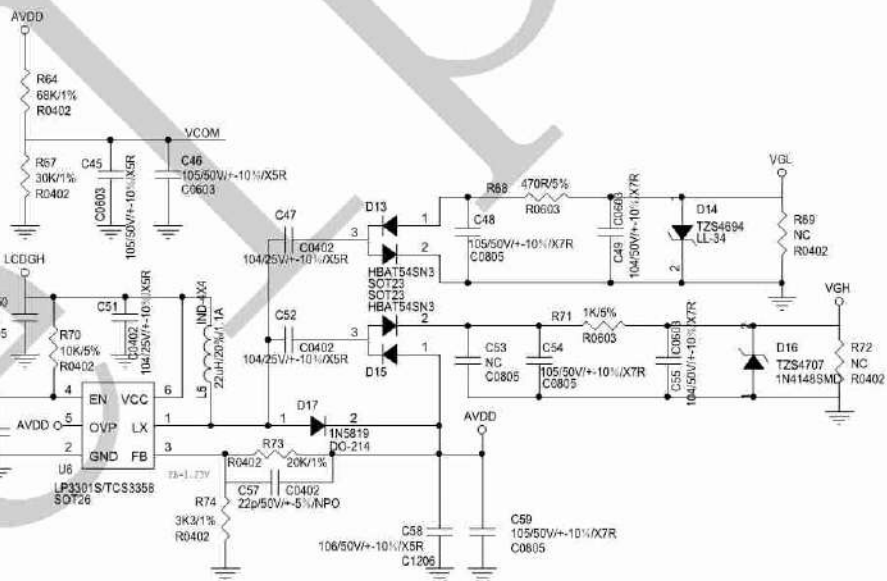
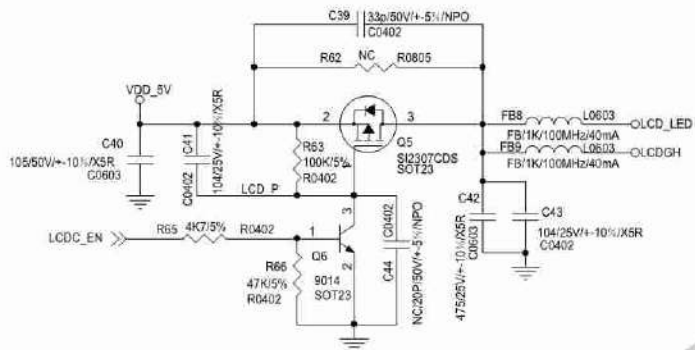
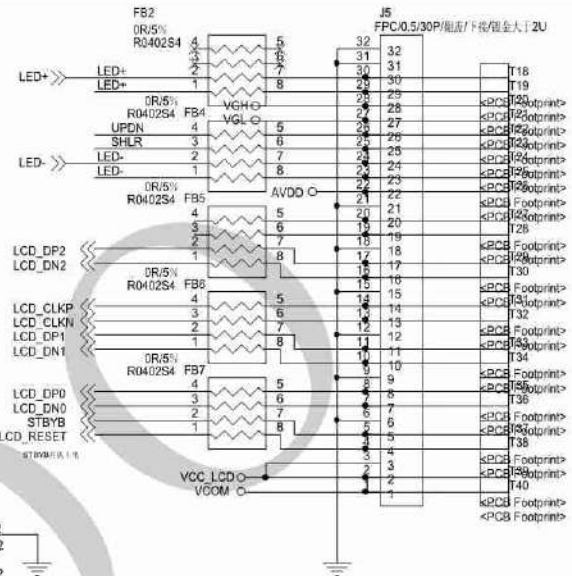
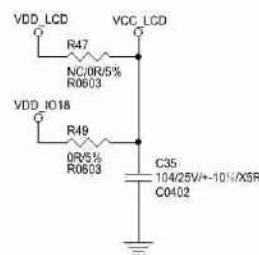
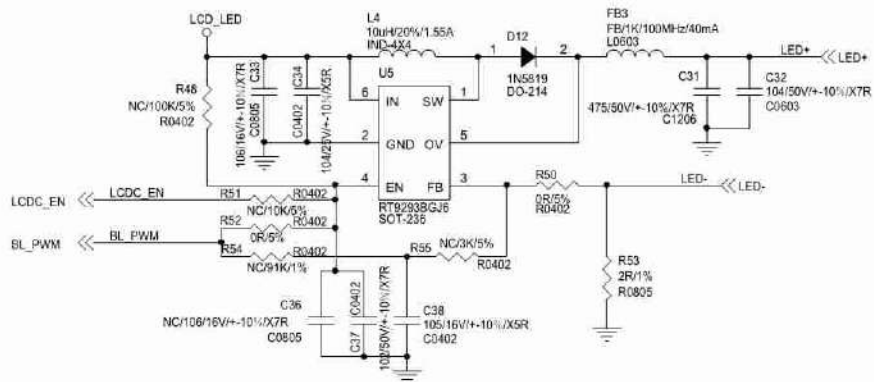
Title	<Title>	Rev	<Rev>
Doc	Document Number	Doc	<Doc>
Date	Tuesday, May 16, 2017	Sheet	1 of 1



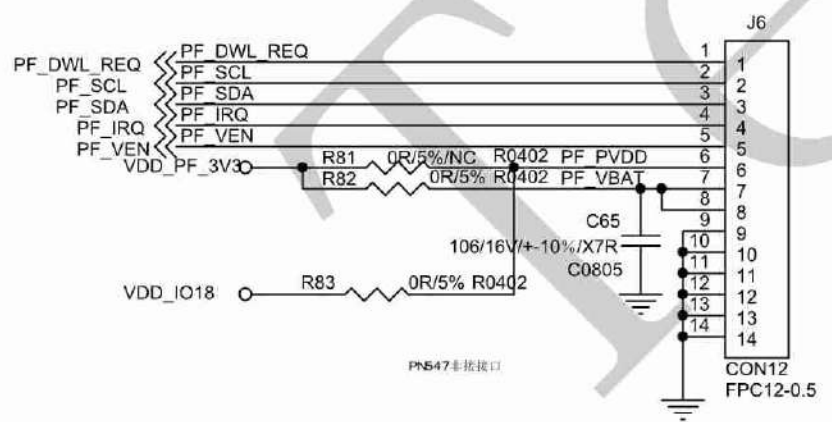
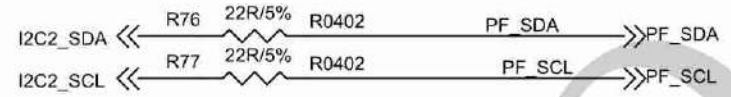
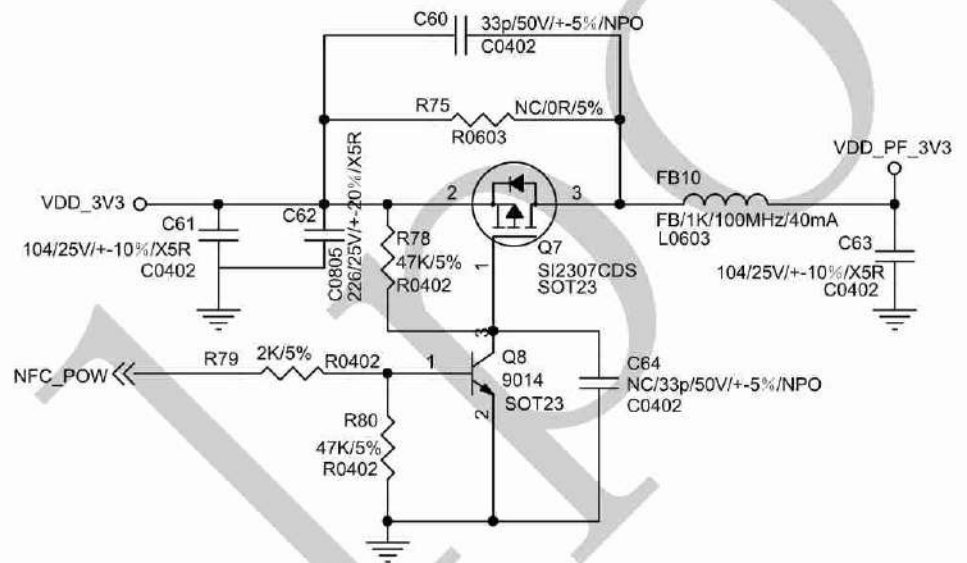
Title		
Charge		
Size	Document Number	Rev
A4		



Title		<Title>
Size	Document Number	Rev
B	<Doc>	<Rev>
Date:	Tuesday, May 16, 2017	Sheet 3 of 13

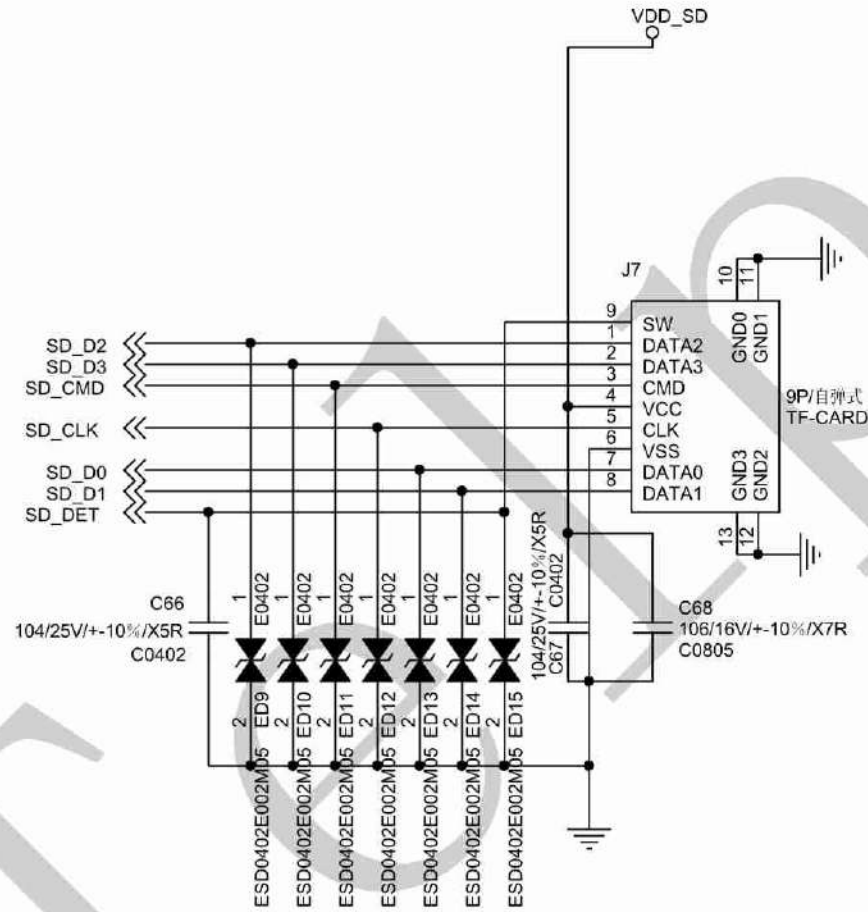
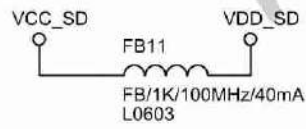


Title	<Title>
Doc	Document Number
Rev	<Rev>
Date:	Friday, May 19, 2017
Sheet	4 of 13

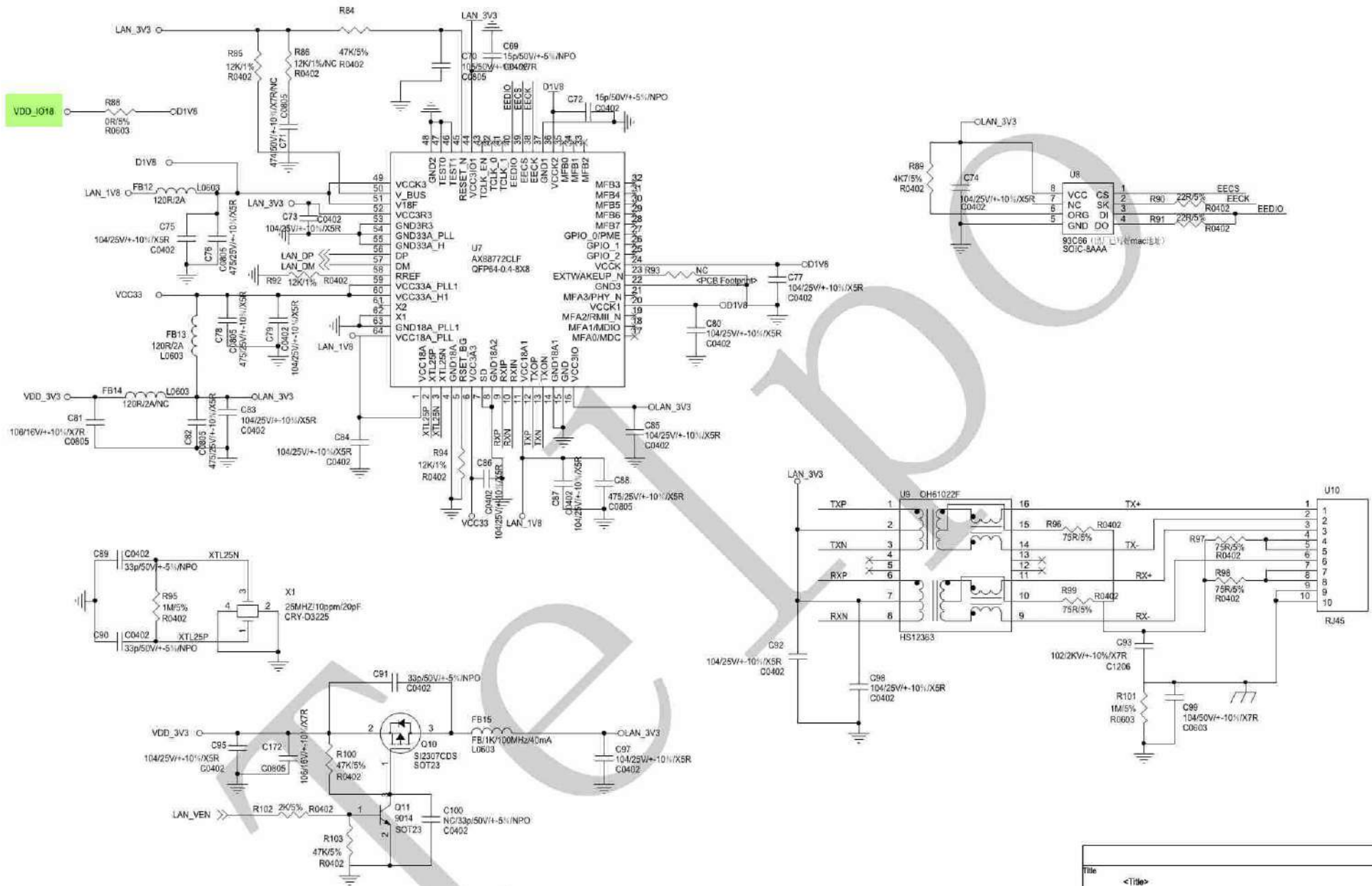


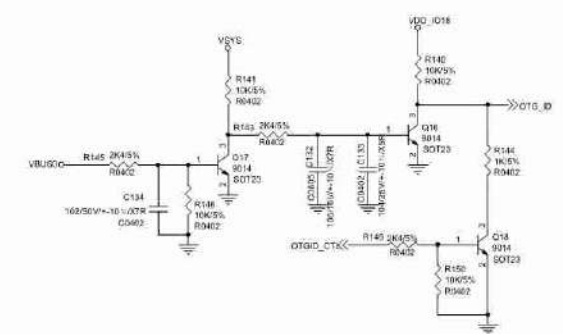
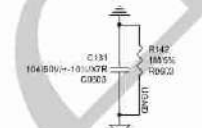
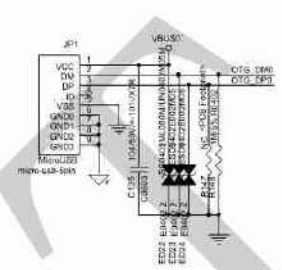
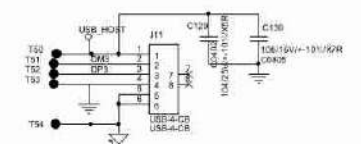
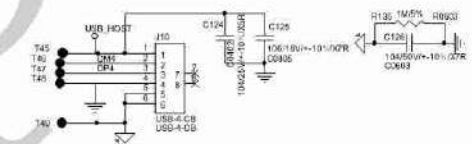
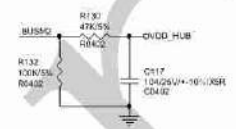
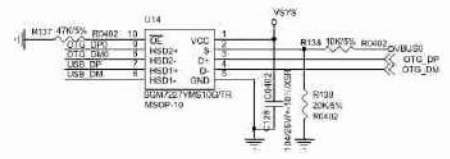
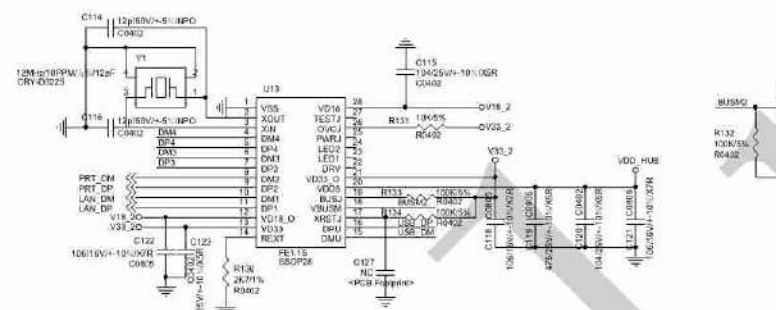
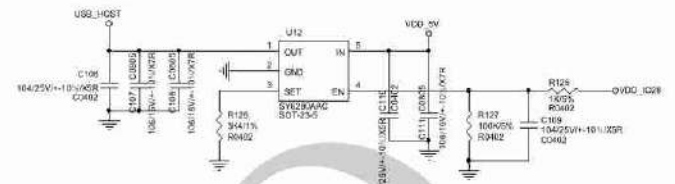
PMS47模块接口

Title		
<Title>		
Size	Document Number	Rev
A	<Doc>	<RevCode>
Date:	Tuesday, May 19, 2015	Sheet 5 of 10



Title		
<Title>		
Size	Document Number	Rev
A	<Doc>	<RevCode>
Date:	Tuesday, May 10, 2011	Sheet 1 of 1





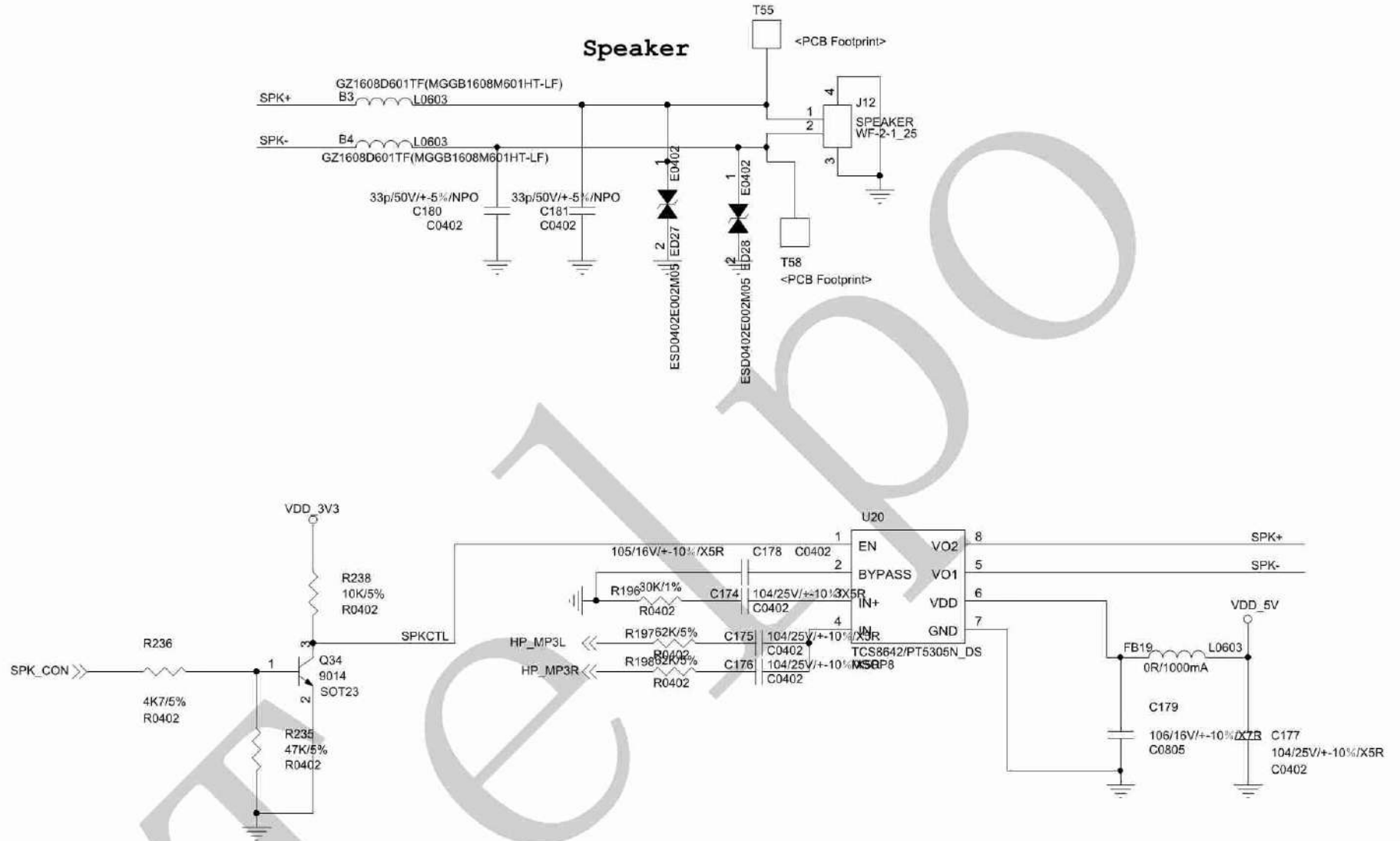
D

C

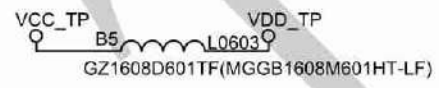
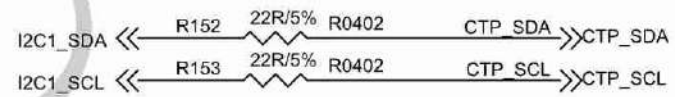
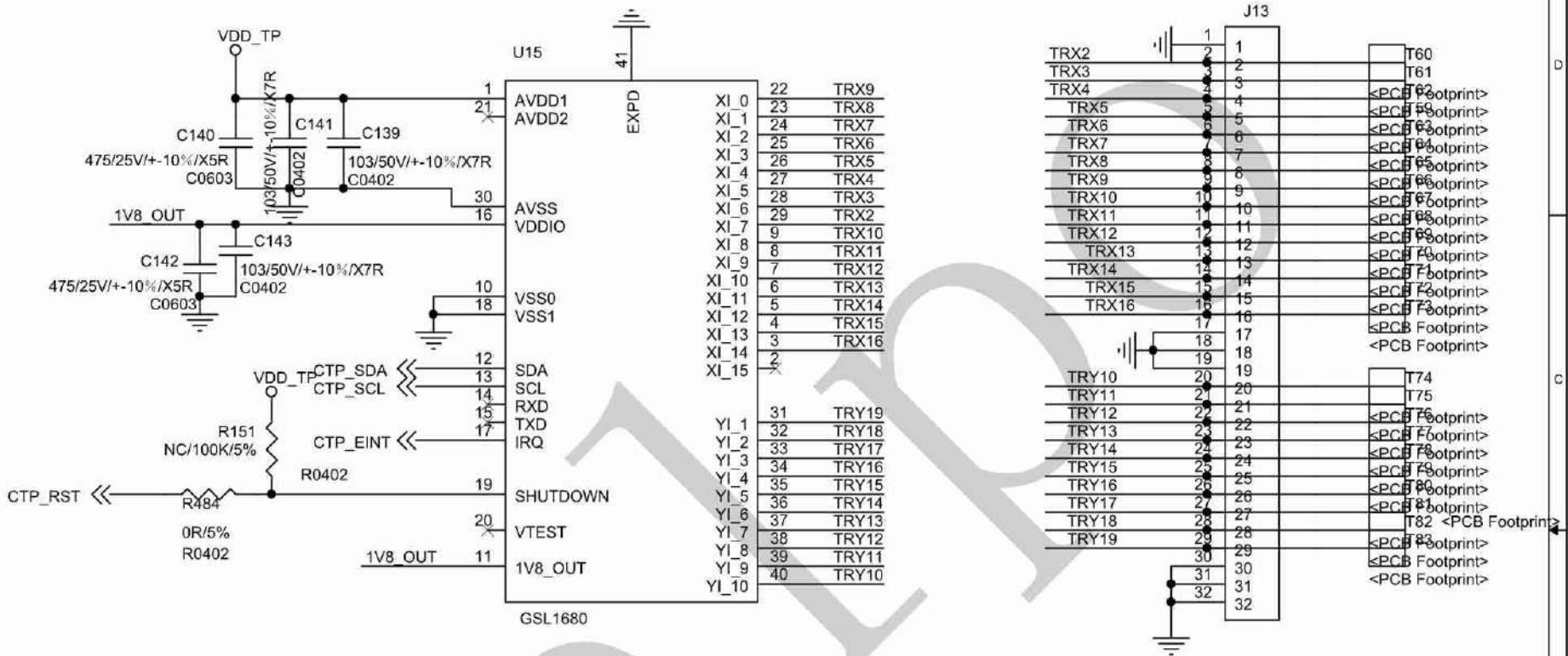
B

A

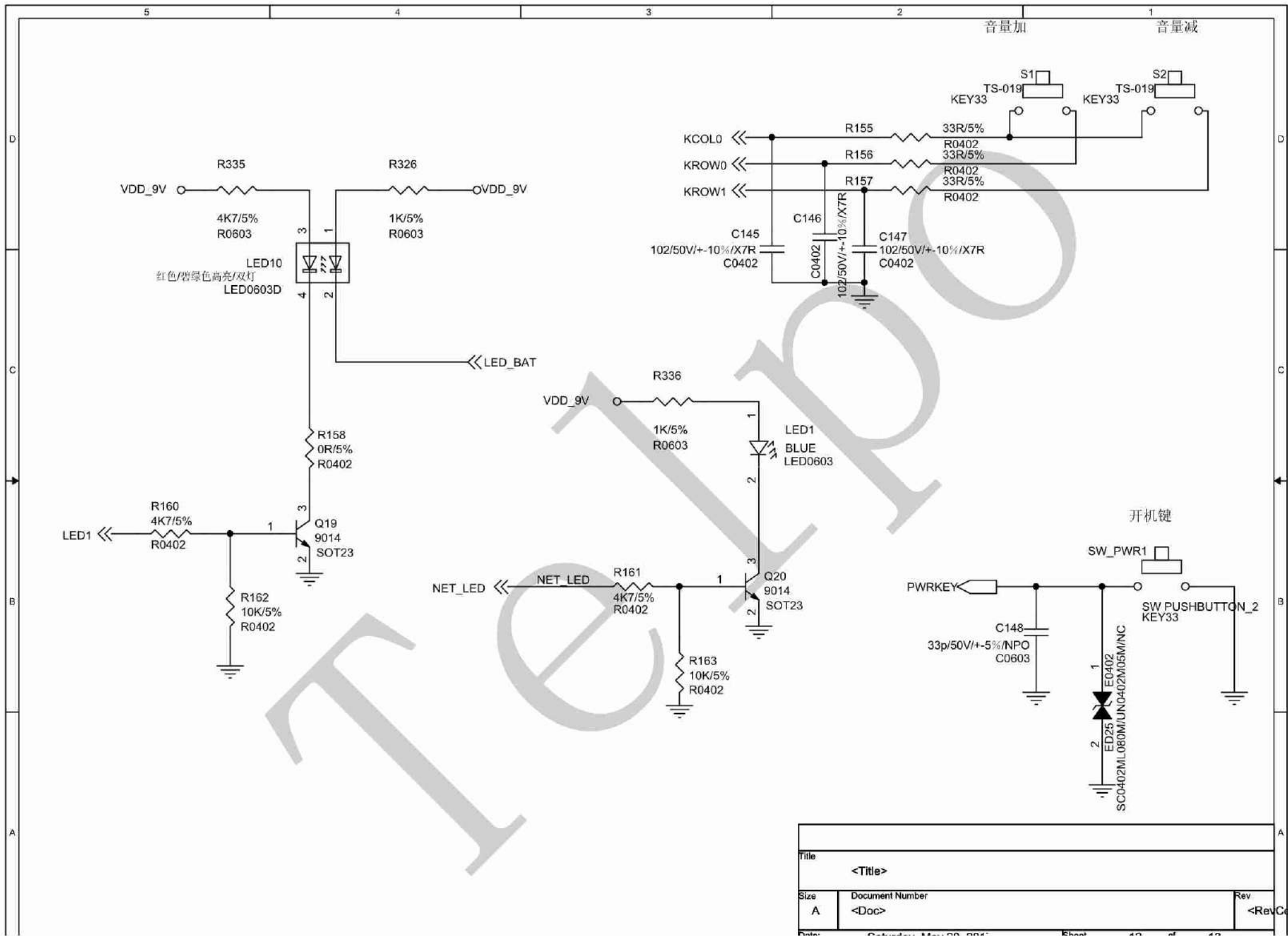
Speaker



Title		
<Title> AUDIO_VIBRATOR		
Size	Document Number	Rev
A4	<Doc>	<Re



Title		
<Title>		
Size	Document Number	Rev
A	<Doc>	<RevCode>
Date:	Tuesday, May 10, 2011	Sheet 44 of 49



Title		
<Title>		
Size	Document Number	Rev
A	<Doc>	<RevCode>
Date:	Created: May 09, 2014	Sheet 49 of 49

